



ROTARY GEAR PUMPS

ROTARY GEAR PUMPS

Model : JKK

PUMPING SOLUTIONS FOR  
**LIQUID TRANSFER...**



*"We Believe in Quality"*



Mfgd. By :

**JK PUMP INDUSTRIES**

Ahmedabad (Guj.) INDIA.

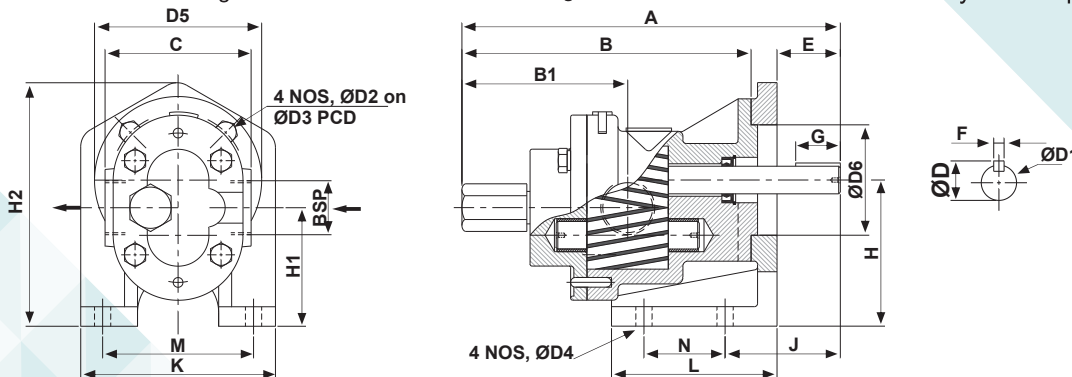
# ADVANCED TECHNOLOGY FOR PUMPING VISCOUS LIQUID



J K Pump Industries offers “SHIVAY” brand rotary pump model “JKX” which is self priming bi-directional positive displacement gear pump in simple two piece cast iron construction with single helical modified profile carbon steel gears shrunk fitted on alloy steel hardened & ground shaft as gear, firmly supported on 4 nos of self lubricated sintered bronze bush bearing. The pump can be run in either direction with change in inlet-outlet port position. The relief valve operations can be reversed by simply changing the R.V. parts on opposite side.

## MATERIAL CONSTRUCTION :

- \* Body & covers : IS 210 FG 220 C.I. Grade
- \* Drive shafts : EN-19 Hardened & ground
- \* Gears : EN-8
- \* Bush-Bearing : Sintered bronze
- \* Seals : Oil seal
- \* Key for coupling : Mild steel



## MODEL & POWER CHART

PUMP MODEL & SIZE BSP	CAPACITY AT 1440 RPM			POWER REQ.			Motor H.P. Frame Size	PUMP DIMENSIONS											Wt. OF BARE PUMP IN KG.
	LPM	US GPM	M <sup>3</sup> /hr	NO LOAD VISCOUS H.P.AT		Unit H.P.Per Kg. Press		OVER ALL			MOUNTING & SHAFT								
				200 CST	500 CST			A	B	H2 L	D1	D2 D3	D4 D5	D6 E	F G	H1	J K	M N	
JKX-025 ¼" X ¼"	2.5	0.65	0.15	0.10	0.20	0.010	0.50	130	98	107	11	6.8	8	45	3	63	44	60	1.5
	5	1.30	0.3	0.15	0.22	0.012	71	64	56	77	9.5	59	72	20	18	53.5	78	35	
JKX-050 ½" X ½"	10	2.65	0.6	0.20	0.27	0.025	0.75	167	129	121	13.5	8.5	8	52	4	71	53	70	2.0
	15	4.00	0.9	0.25	0.32	0.037	80-M	70	78	80	12	66	82	25	22	58.5	90	40	
JKX-075 ¾" X ¾"	20	5.30	1.2	0.35	0.45	0.050	1	215	167	134	16	8.5	10	60	5	80	64	85	4.0
	25	6.60	1.5	0.40	0.50	0.065	80-M	90	92	90	14	75	92	35	25	66	108	45	
JKX-100 1" X 1"	35	9.25	2.1	0.50	0.60	0.078	2	235	177	150	19	10.5	10	68	5	90	74	93	4.5
	50	13.20	3.0	0.60	0.70	0.120	90-L	92	105	100	17	83	100	42	27.5	73	120	50	
JKX-125 1¼" X 1¼"	60	15.85	3.6	0.75	0.90	0.134	3	271	203	168	22.5	10.5	12	75	6	100	83	105	7.0
	75	19.80	4.5	0.80	0.95	0.170	100-L	100	113	110	20	95	115	51	32	80.5	145	60	
JKX-150 1½" X 1½"	100	26.40	6.0	0.90	1.05	0.230	5	285	207	190	24.5	10.5	12	85	6	112	96	115	8.5
	125	33.00	7.5	1.00	1.15	0.280	112-M	108	120	135	22	105	125	60	35	90	150	70	
JKX-200 2" X 2"	150	39.65	9.0	1.05	1.20	0.340	7.5	320	215	232	28	14	15	100	8	132	122	140	16.0
	200	52.80	12.0	1.15	1.30	0.450	132-S	142	140	160	25	125	150	85	40	105	190	100	
JKX-250 2½" X 2½"	300	79.25	18.0	1.35	1.55	0.670	10	421	307	260	31	14	18	115	8	160	133	155	32.5
	350	92.50	21.0	1.50	1.70	0.780	132-M	160	175	182	28	140	165	92	45	128	210	120	

## SPECIAL NOTE

\* For calculating power requirement, multiply unit HP per kg pressure with duty point pressure & add no load viscous HP of appropriate viscosity, adequate margin may be provided to this \* Higher/ lower rating motor can be employed based on duty point power requirement other than what is specified as above \* Bracket in different height available to match the height of electric motor.

“JKX” series pumps are designed to run at 1440 RPM up to viscosity of 500 CST, for higher viscosity it is desirable to reduce speed for sizes above 1¼”. Performance at low speed is always advantageous as it improves efficiency, reduces noise level, NPSH and enhances operational life. The capacity will reduce in proportion to the speed.

## APPLICATION

Due to simple, compact design & with availability of block version these pumps are ideal for OE application of engine lubrication, pumping & heating units, oil filtration, cleaning & cooling systems. The pump can also be used for general purpose application to handle viscous liquid such as fuel oil, lube oil, LSHS, mineral oil, transformer oil, LDO, paints, varnish, glue, glycerin, soap solution, sugar solution & molasses etc.

\* All dimensions are in millimeters. Unless otherwise stated, Specifications are subject to change without prior notice as improvements are made from time to time.

Mfgd. By :



**JK PUMP INDUSTRIES**

Ahmedabad (Guj.) INDIA.

Dealers :